



PASQUINO

Tugboat



CONSTRUCTION / CLASSIFICATION

Built by	Cantiere Navale Sarani
Vessel built by	1975 - 2009
Classification	R.I.Na. 54882
CP	PF 1858

ENGINE DATA

Main Engine n. 2 AIFO 821 SM to 2 X 331 Kw@1800 rpm

MAIN DATA

Gross / Net - tonnage	92,24, ton / 33,67 ton
Length overall	23,20 m
Moulded breadth	6,00 m
Moulded depth	2,90 m
Normal draught	2,50 m

09-2019 - The information contained in this data sheet is for information purposes only and may be subject to changes. © SALES S.p.A. - All rights reserved.

SALES S.p.A.

VIA NIZZA, 11 00198 ROMA - tel. +39 068546598 fax + 39 068546558
INFO@SALESCOSTRUZIONI.IT - WWW.SALESCOSTRUZIONI.IT



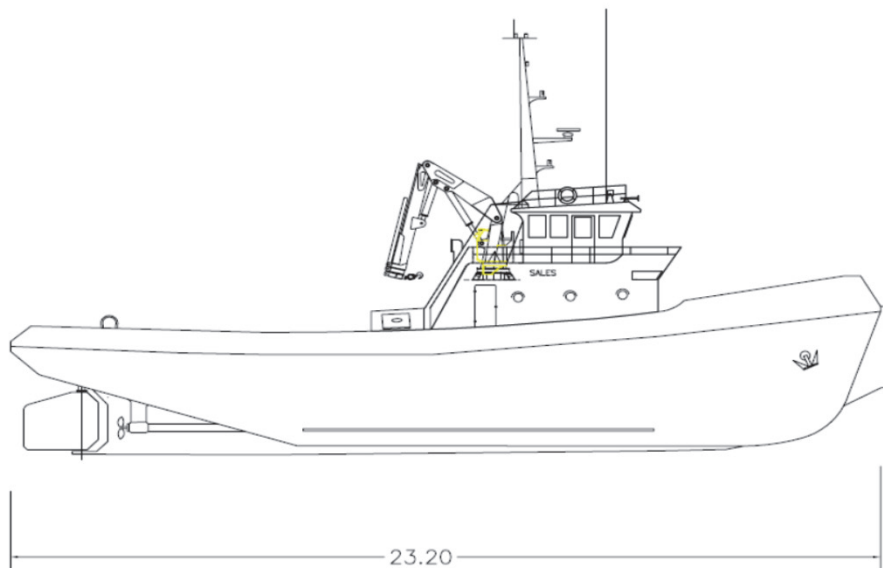
PASQUINO

Tugboat

Rimorchiatore "PASQUINO" PF 1858 – R.I. 54882

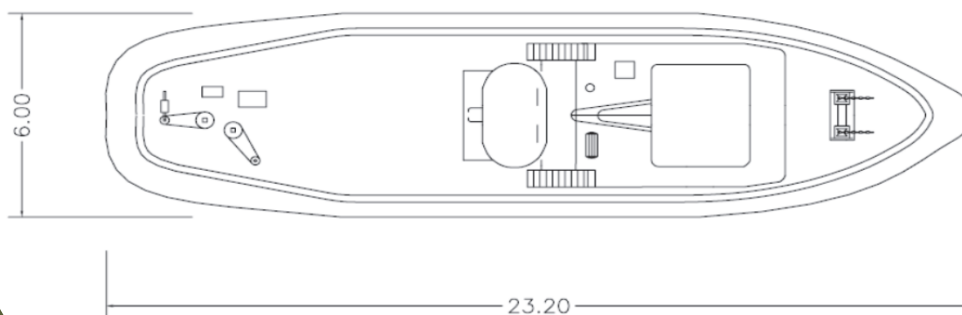
Vista Laterale

Scala 1:100



Pianta

Scala 1:100



09-2019 - The information contained in this data sheet is for information purposes only and may be subject to changes. © SALES S.p.A. - All rights reserved.

SALES S.p.A.

VIA NIZZA, 11 00198 ROMA - tel. +39 068546598 fax + 39 068546558
INFO@SALESCOSTRUZIONI.IT - WWW.SALESCOSTRUZIONI.IT