



SAN GIUSEPPE

Pontoon



CONSTRUCTION / CLASSIFICATION

Vessel built by	1975
Classification	R.I.Na. 54054
CP	PF 1861

MAIN DATA

Gross / Net - tonnage	390,48 ton / 363,90 ton
Length overall	42,00 m
Moulded breadth	11,40 m
Moulded depth	2,50 m
Type of excavator	Link Belt LB 108
Hydraulic Hoist	120 ton @ 12 m

09-2019 - The information contained in this data sheet is for information purposes only and may be subject to changes. © SALES S.p.A. - All rights reserved.

SALES S.p.A.

VIA NIZZA, 11 00198 ROMA - tel. +39 068546598 fax + 39 068546558
INFO@SALESCOSTRUZIONI.IT - WWW.SALESCOSTRUZIONI.IT

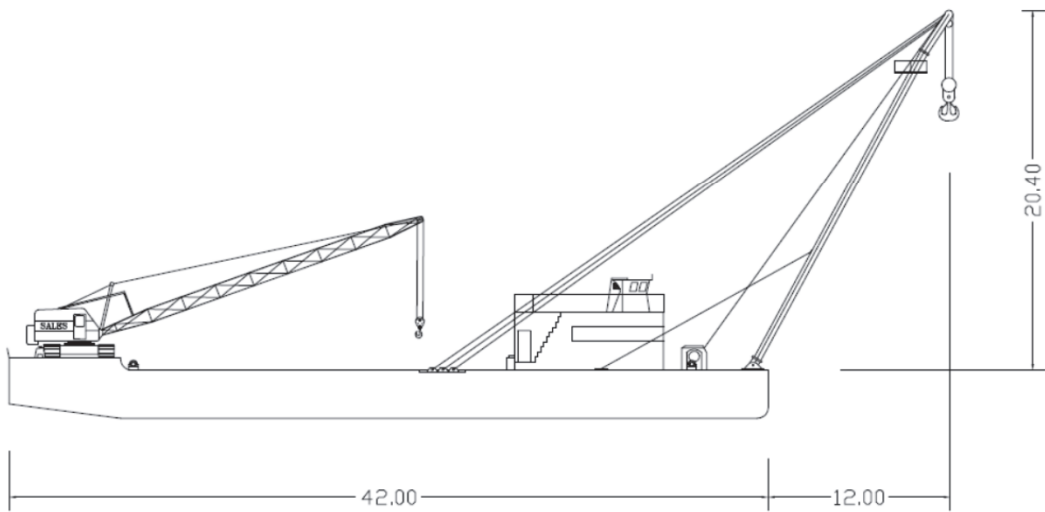


SAN GIUSEPPE
Pontoon

Pontone "SAN GIUSEPPE" PF 1861 – R.I. 54054

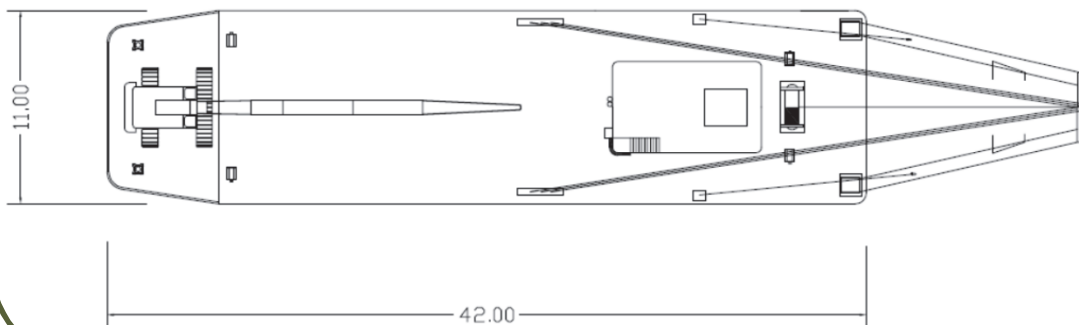
Vista Laterale

Scala 1:400



Pianta

Scala 1:400



09-2019 - The information contained in this data sheet is for information purposes only and may be subject to changes. © SALES S.p.A. - All rights reserved.

SALES S.p.A.

VIA NIZZA, 11 00198 ROMA - tel. +39 068546598 fax + 39 068546558
INFO@SALESCOSTRUZIONI.IT - WWW.SALESCOSTRUZIONI.IT